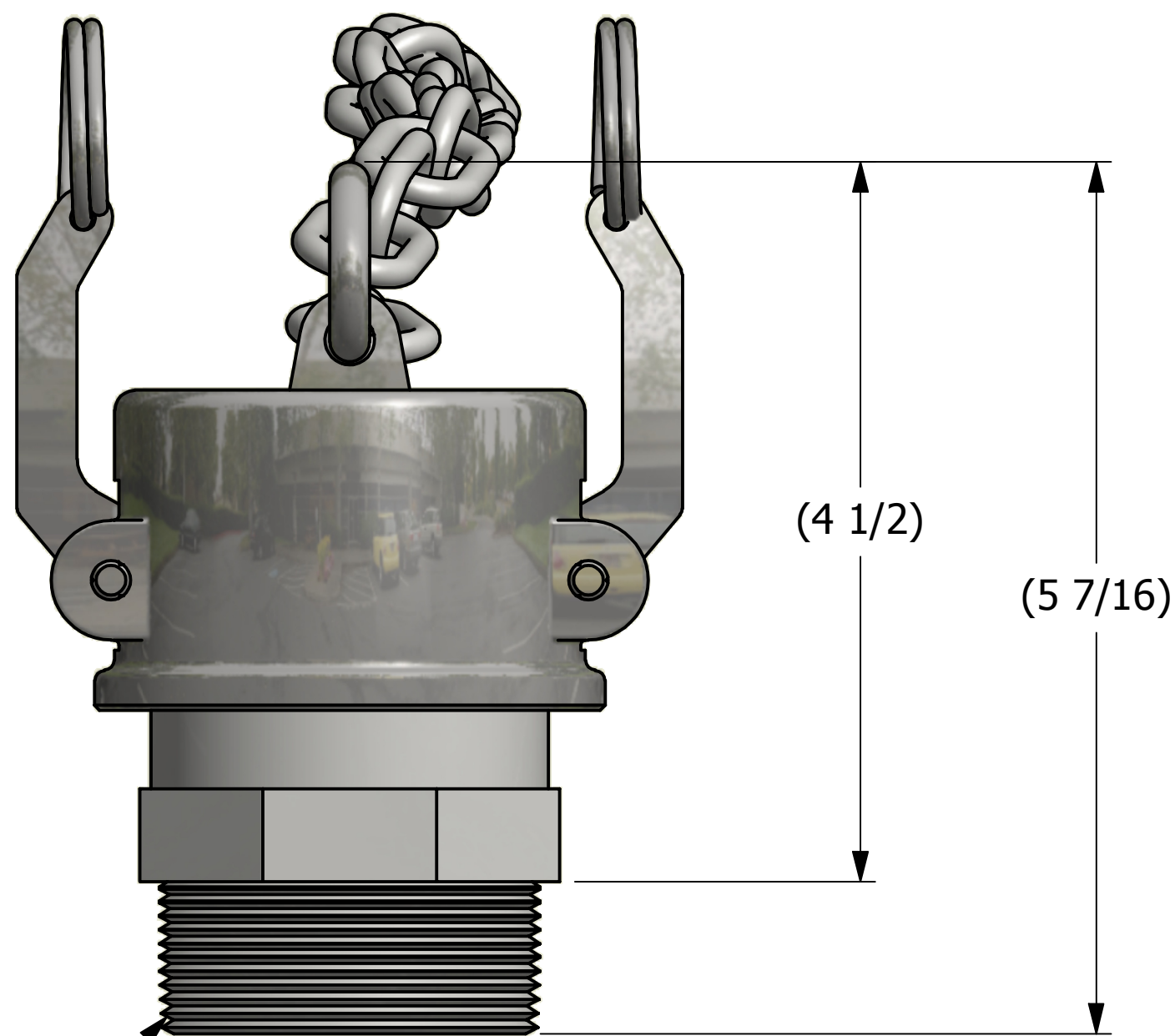


21 LINKS OF 3/16" STAINLESS STEEL CHAIN
APPROX. 22" IN LENGTH



(4 1/2)


(5 7/16)

2" NPT

NOTE:
GASKET IS BLACK VITON GFLT-600S.

THIS PRINT, PROPERTY OF SALCO PRODUCTS INC., CONTAINS PROPRIETARY INFORMATION AND MUST NOT BE COPIED, REPRODUCED, OR USED DETRIMENTALLY TO OUR INTEREST.

UNLESS OTHERWISE SPECIFIED DIMENSIONAL TOLERANCES FRACTIONAL: $\pm 1/16$ X.XX: $\pm .03$ X.XXX: $\pm .015$ ANGLE: $\pm 1^\circ$ DEBURR ALL SHARP EDGES. ALL MACHINED SURFACES TO HAVE A 125 RMS FINISH UNLESS NOTED OTHERWISE. THIRD ANGLE PROJECTION	DRAWN BY:	GDS
	CHECKED BY:	CHL
	PROTOTYPE BY:	GDS
	PROTOTYPE DATE:	10/5/2012
	APPROVED FOR PRODUCTION BY:	BG
	PRODUCTION DATE:	3/26/2013

B	RJP	6-12-14	UPDATED DESIGN OF K20IDC202A
A	BG	3-26-13	DRAWING RELEASED FOR PRODUCTION
REV	BY	DATE	DESCRIPTION
 SALCO PRODUCTS, INC.			
PART NAME: TOP FITTING ASSEMBLY 2" THREAD ON			
MATERIAL: DUCTILE IRON			
PROJECT #: 120529		SHEET #: 1 OF 1	SCALE: 1:1
DRAWING #: C34293		PART #: K20IUMP202A	